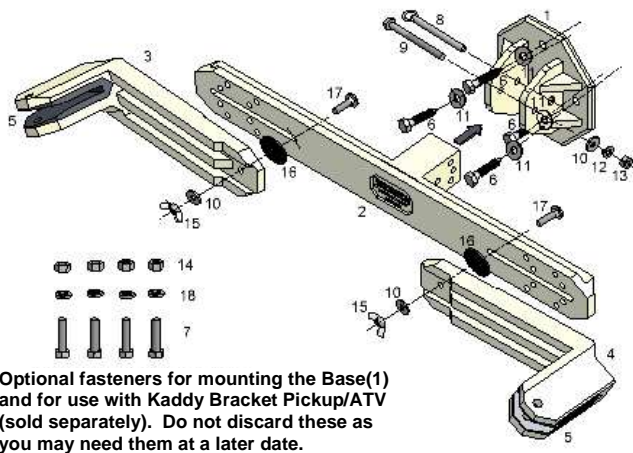


Foreword

Thank you for purchasing Bowkaddy™. Please read all instructions thoroughly prior to assembly and retain for future reference. For further information including the most current version of this document, visit alarisconcepts.com.

Contents

#	Qty	Size	Description
1	1	-	Base
2	1	-	Main Support Arm
3	1	-	Left Swing Arm
4	1	-	Right Swing Arm
5	2	-	Rubber Clamp Inserts
6	4	5/16" x 1 1/4"	Lag bolts (for fastening base to wood or metal)
7	4	5/16" x 1 1/4"	Bolts (optional fasteners – see note)
8	1	1/4" x 2"	Quick release pin
9	1	1/4" x 2 1/2"	Bolt (Connects Base to Main Support Arm)
10	3	1/4"	Flat washer
11	4	5/16"	Flat washers
12	1	1/4"	Lock washer
13	1	1/4"	Nut
14	4	5/16"	Nuts
15	2	1/4"	Wing nuts
16	2	1/4" x 1 1/2"	Rubber washers
17	2	1/4" x 1 1/4"	Carriage bolts
18	4	5/16"	Lock washers
19	1	-	Product sheet



Assembly

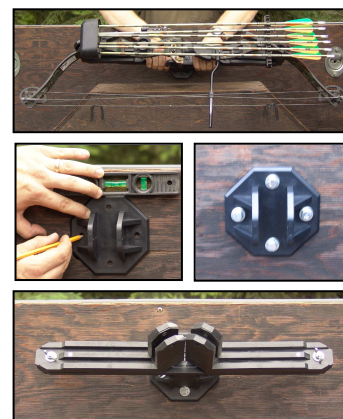
1. Obtain required tools: two 7/16" or adjustable wrenches.
2. Fasten Main Support Arm(2) to Base(1) as shown above. Do not overtighten the nut(13) and bolt(9).
3. Insert quick release pin(8) into middle position as shown above to provide stability.
4. Fasten Swing Arms(3&4) to Main Support Arm(2) as shown above. Wing nuts(15) need only be hand tight.

Installation

Bowkaddy™ can be mounted in various configurations. The most common installations are explained below. To find out which method is best for you or if you are considering other installation options, consult alarisconcepts.com.

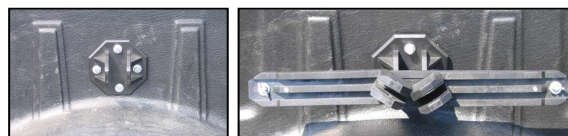
TRUCK BOX – WOODEN BOX LINER

1. Obtain required equipment: drill, 7/32" wood bit, pencil, level, 1/2" or adjustable wrench, bow.
2. Adjust Bowkaddy™ to fit your bow in the desired mounting position and insert your bow into the rubber clamp inserts(5).
3. Hold Bowkaddy™ and the bow in the approximate location you want to mount it (recommend above or on wheel well). This is just to confirm that spatial requirements are satisfactory.
4. Remove the Base(1) from the Main Support Arm(2).
5. Place Base(1) on the mounting surface, using the level to ensure it is oriented properly.
6. Mark four holes with pencil.
7. Drill 7/32" holes through markings. Be careful not to contact metal behind the box liner.
8. Fasten Base(1) to wood surface using 5/16" lag bolts(6) and flat washers(11) with wrench. Do not overtighten.
9. Re-attach Main Support Arm(2) to Base(1) as per Assembly instructions.



TRUCK BOX – PLASTIC BOX LINER

1. Follow steps 1-6 for a wooden box liner except with a 11/32" bit and an additional 1/2" or adjustable wrench. Choose a mounting location on the plastic liner that is relatively flat, rigid and will accommodate all four mounting bolts. If the plastic liner does not provide adequate

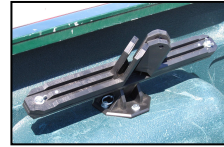


support, Kaddy Bracket™ Pickup (sold separately) should be used for secure mounting.

2. Fasten Base(1) to plastic liner using the 5/16"x 1 ¼" bolts(7), flat washers(11), lock washers(18) and nuts(14) with wrenches.
3. Re-attach Main Support Arm(2) to Base(1) as per Assembly instructions.

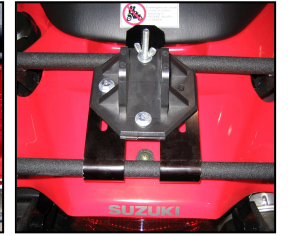
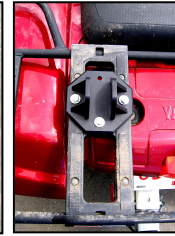
TRUCK BOX – NO LINER (Note – this procedure requires holes to be drilled directly into the box of the vehicle.)

1. Follow steps 1-6 for a wooden liner except with a metal bit. Choose a mounting location that is relatively flat and will accommodate all four mounting bolts. If such a place cannot be found or you do not wish to drill holes in the sidewall or wheel well of the truck box, Kaddy Bracket™ Pickup (sold separately) should be used for secure mounting.
2. Fasten Base(1) to truck box using the 5/16" lag bolts(6), flat washers(11) and lock washers(18) with wrench. Do not overtighten.
3. Re-attach Main Support Arm(2) to Base(1) as per Assembly instructions.



ATV

Bowkaddy™ must be mounted on a structurally rigid part of the ATV (metal or composite front or rear racks, side or rear of accessory toolbox, etc.) Generally, ATV's with composite racks can accommodate direct fastening with the hardware that is provided with Bowkaddy™. ATV's with tubular metal racks generally require the use of Kaddy Bracket™ ATV (sold separately) for secure mounting.



Use, Care and Maintenance

- Only use to store and transport archery bows. Not intended for general load securement.
- Adjust position of Swing Arms to match limb angles. Line up clamps with region of limbs that are ~1/4" thick. For most basic compound bows, the metal pin in the Swing Arms will line up with the slot or one of the holes in the Main Support Arm. For bows with long risers (parallel limb and some recurves), it may be necessary to fully extend the swing arms so that the pins fall outside the main support arm. In this case, the rubber washer compressed between the arms will provide sufficient friction to keep the arms stationary while inserting and removing the bow.
- For a small percentage of bows, the pins may not match up ideally with the existing holes in the Main Support Arm. It is then allowable to drill a maximum of two additional holes per side. Using a 1/4" bit, drill the holes to a maximum depth of 3/16" or 5mm. Allow at least 1/8" or 4mm of material between the hole, the edge of the component and the other holes. Drilling the hole too close to the edge or to the other holes will weaken the component beyond an acceptable limit.
- Tighten wing nut to secure in place. Check nut and other fasteners regularly to ensure that they remain tight.
- **Insert/remove bow one limb at a time by applying equal and opposite forces to the limb and swing arm. Do not use excessive force.**
- Bow should not contact any plastic or metal component of the rack. Ensure a snug fit in the rubber grips.
- Bow should not contact any part of the vehicle or object in the vehicle. Minimize unsecured objects in the vicinity.
- If installing upside down (ie. cab roof), insert pins (not included) in clamp holes to prevent bow from falling out.
- A lock mechanism (not provided) can be inserted through the hole at the end of the swing arm grips. It must be noted that this serves only as a visual theft deterrent and does not provide guaranteed protection.
- Fold swing arms inward and secure with wing nuts for compactness when not in use.
- Do not subject Bowkaddy™ to unnecessary impact or overload.
- Remove Bowkaddy™ from your vehicle when not being used for extended periods of time.
- Not for use or play by young children. Rotating Swing Arms can create a pinch hazard.

Warranty & Disclaimer

Bowkaddy™ and accessories are designed for maximum mounting versatility. However, if the original purchaser is unable to acceptably mount Bowkaddy™ or is otherwise dissatisfied with the product, Alaris Concepts will accept a return shipment of the product with proof of purchase in exchange for a refund equal to the purchase price. When assembled, installed and used as per the instructions contained in this Product Sheet, Alaris Concepts warrants to the original purchaser any original product defects for a period of 5 years. Damage to Bowkaddy™, archery equipment and/or vehicle resulting from poor installation and/or misuse of the product is not covered by Alaris Concepts. Alaris Concepts reminds all users to know and follow all applicable regulations governing the transportation and deployment of archery weapons. For further warranty information and processing, general information or feedback, contact Alaris Concepts in Wainwright, Alberta, Canada. Phone: (780) 842-7150. Email: info@alarisconcepts.com. Website: www.alarisconcepts.com.